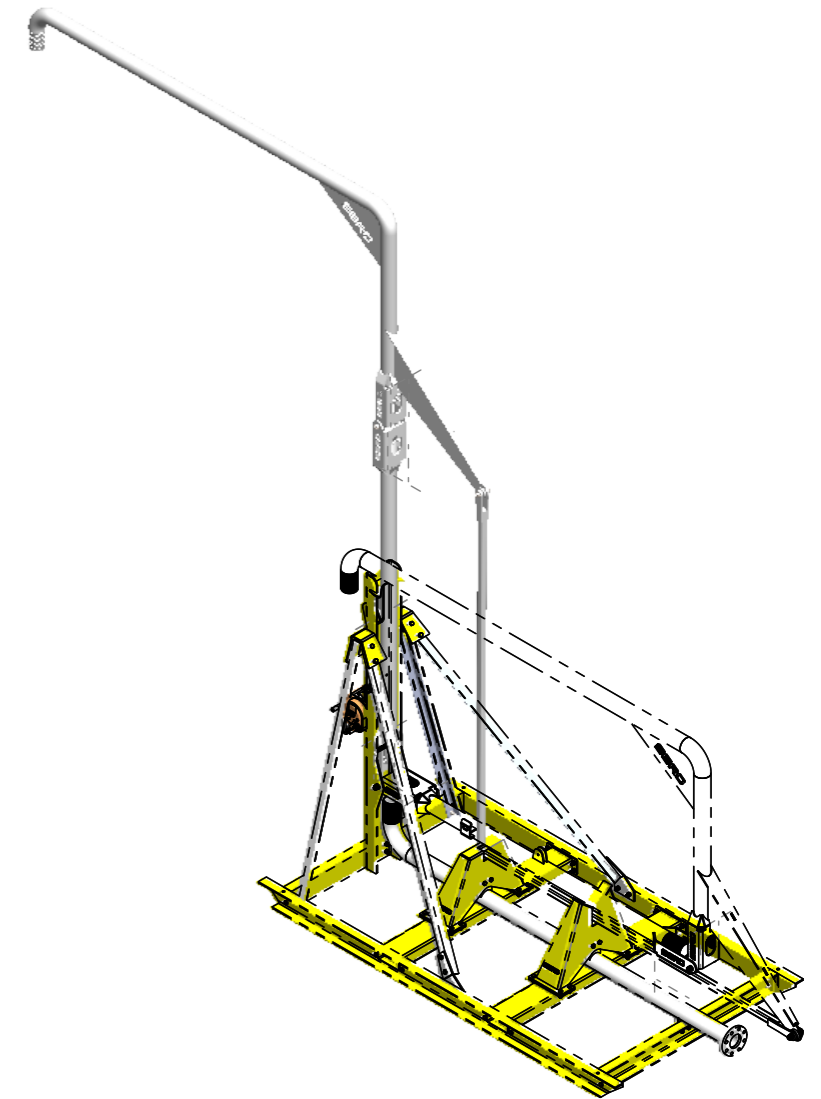
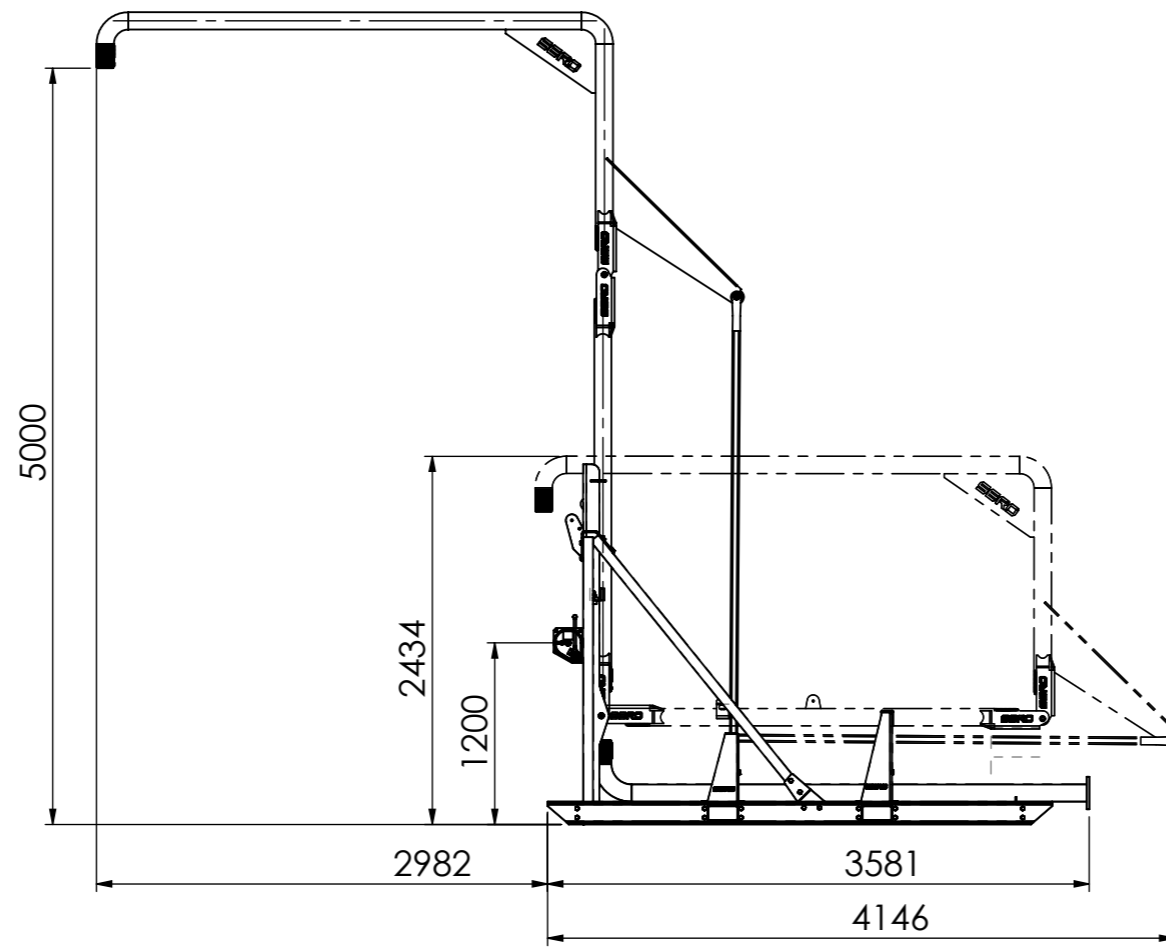
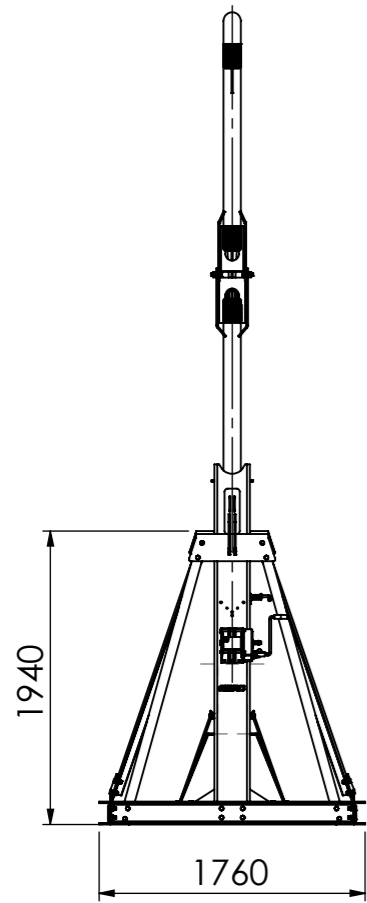
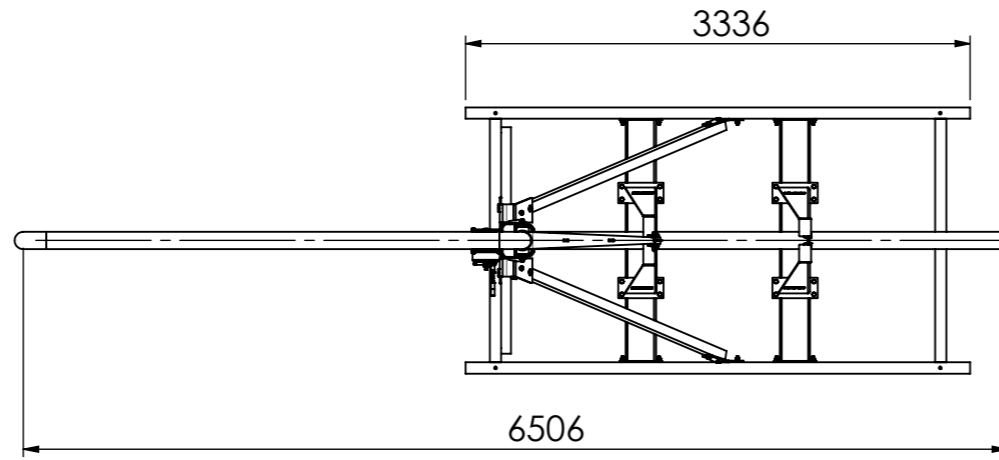


Weight: 770 kg



FABRICATED BY	DATE
FABRICATION CHECK BY	DATE
WELD CHECK BY	DATE

0	03/07/2022	ISSUE FOR APPROVAL	MO	MM
REV	DATE	DESCRIPTION	DRN	CHK



GENERAL NOTE

ALL STEELWORK TO BE FABRICATED & ERECTED TO AS4100
 ALL WELDS TO BE 6MM C.F.W- U.N.O.
 ALL WELDING TO AS1554
 ALL CLEATS TO BE ON CENTERLINE U.N.O
 HARDSTAMP ASSEMBLY MARK WHERE INDICATED THUS
 ALL SNIPES ARE 15x45°

SERO Rapid Pipe Stand

DRAWING TITLE	NB100-5m		
CONTRACT			
MODELLED BY		CHECKED BY	
SHEET NO.	1 OF 1	DRAWING NO.	REVISION
SCALE.	1:50	RS-NB100-5 GA	0